

WOODWORKING FOR WILDLIFE

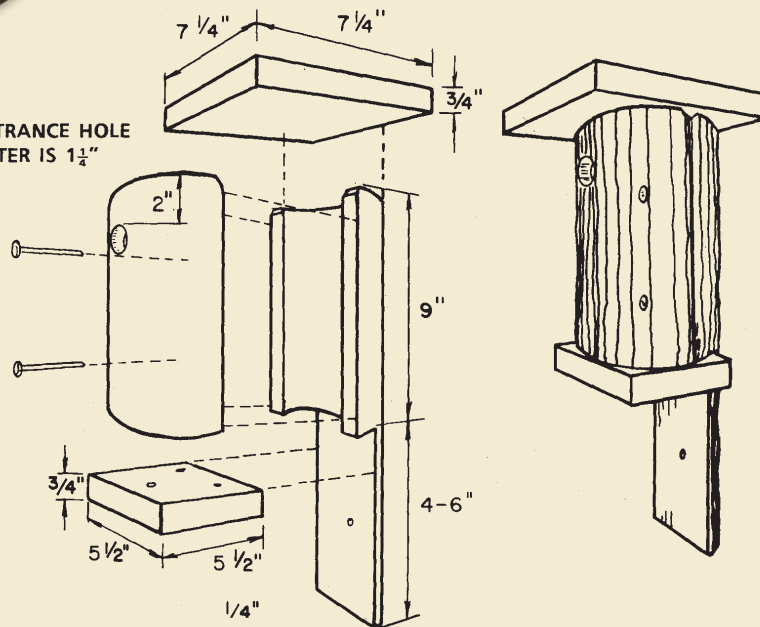
CAROLINA CHICKADEE



The Carolina chickadee is a popular and well-known bird. Many people enjoy these delightful birds at their feeders but don't realize that they will also nest in yards and woodlots with mature hardwood trees.

The house should be mounted 5 to 15 feet high in a partly shaded area (40 to 60 percent sunlight). The chickadee needs a 1-1/8-inch diameter entrance hole. The 1-1/4-inch diameter hole shown in this plan will allow use by wrens and nuthatches, but not house sparrows.

NOTE: ENTRANCE HOLE DIAMETER IS 1 1/8"



MATERIALS

- 1 block 6" x 13-16" from a tree trunk or branch (Birch, pine, cedar or basswood preferred)
- 1 piece 1 x 8" x 8" or exterior plywood for roof
- 1 piece 1 x 6 (about 3/4" x 5 1/2") x 6" or exterior plywood for bottom
- 8 1 3/4"-2 1/4" nails. Use 4 for the sides and 4 for the floor.
- 3 1 1/2" #10 round head wood screws to attach roof
- 1 1/2" x 2 1/2" lag screw and washer for mounting
- 1 Cut block to overall length.
- 2 Split with axe or saw.
- 3 Cut front half to length.
- 4 Cut and split part of the back off so part is even with the front half and the remaining portion is about one inch thick.
- 5 Use hammer or mallet and chisle to split out center, to make a 4 inch diameter tubular hollow.
- 6 Drill entrance hole and lag screw hole and cut ventilation notches.
- 7 Nail halves together and attach roof and floor.

Plans from *Woodworking for Wildlife*
Compiled by the Arkansas Game and Fish Commission
and Arkansas Forestry Association